

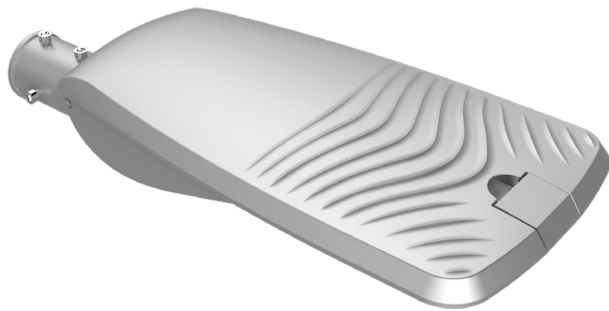


Key Features & Benefits

- Provides Ideal lighting for Industrial, Manufacturing and Warehousing
- Optional ZigBee Wireless Control System (Control via App)
- Reduces energy consumption by over 50% on traditional lighting
- Various Beam Angles available
- Up to 135lm/w+ efficiency
- IP66 rated
- Fit & Forget 5 Year Warranty



LED High Output Street Light



The Cema Lighting LED IP66 High Output Street Lights provide a bright clear energy efficient light that is suitable for external lighting of Roadways, Footpaths, Walkways, Car Park and Amenity Area applications, as well as many other instances when looking for a pole mounted high output fitting with low maintenance.

This fitting has the ability to be fitted with our unique ZigBee Wireless Control System, this is a fully wireless system to control anything from a single light fitting to a whole factory of lights, even allowing groups of lights to be created to control specific areas. The software can be used to set times for certain lights to go on or off, you can also dim certain fittings down as well as a host of other possible actions you can input using either a smart phone, tablet or PC.

This fitting is also very light in comparison to similar types of LED Street Lights available, weighing as little as 6.5KG and with its 135LM/w output it also offers one of the highest available efficiencies for LED luminaires on the market. With up to 60,000 hour life span this provides a maintenance free solution for difficult applications where changing lamps or drivers can either be hazardous or expensive. This product comes with the Cema Lighting **Five Year Fit & Forget Warranty**.

Applications

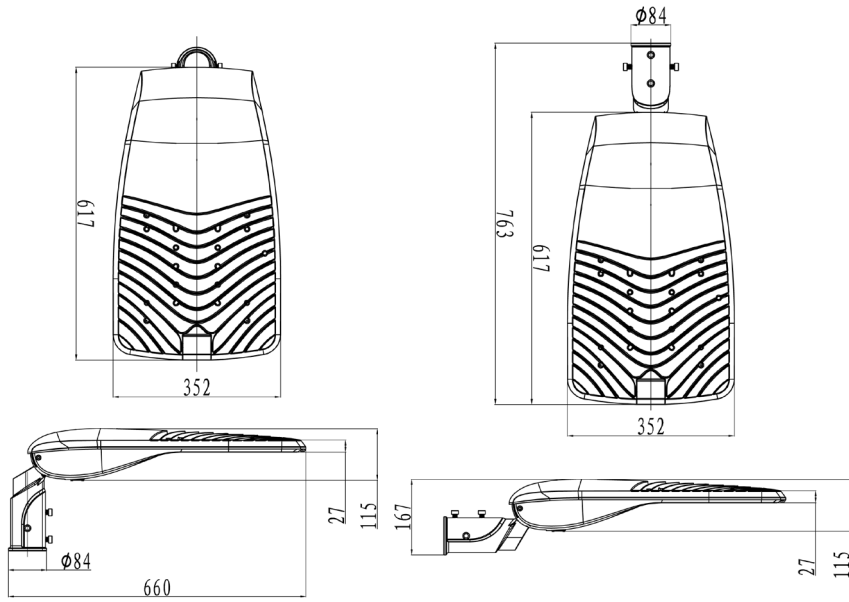
- Roadways
- Footpaths
- Walkways
- Car Parks
- Amenity Areas
- Petrol Forecourts
- Exterior of Buildings
- Industrial Plants
- Warehouses
- Preparation Areas
- Storage Areas
- Workshops

Optional Extras

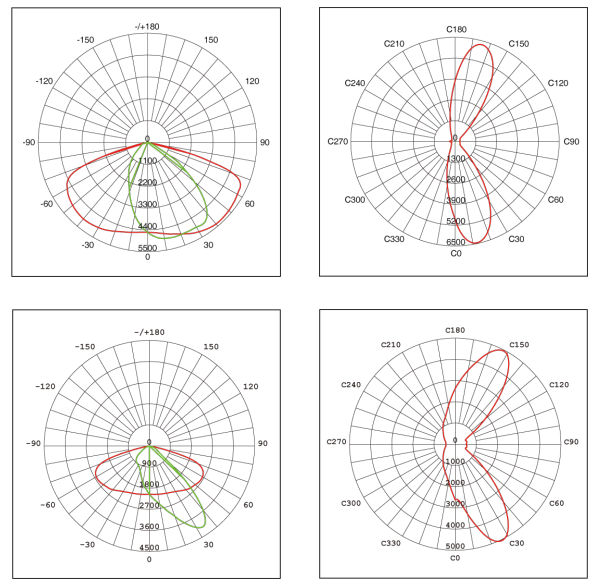
- 1-10v Dimmable
- Photocell Sensor
- Microwave Sensor
- ZigBee Control

Commercial and Industrial Lighting Specialists





Size Diagram



Photometric Curve Diagram

LED High Output Street Light

Technical Specification



| Product Code | 02-HIS-030-04 | 02-HIS-050-04 | 02-HIS-070-04 | 02-HIS-090-04 | 02-HIS-120-04 | 02-HIS-150-04 |
|------------------|--------------------|--------------------|--------------------|--------------------|--------------------|--------------------|
| Wattage [W] | 30W | 50W | 70W | 90W | 120W | 150W |
| IP Rating | IP66 | IP66 | IP66 | IP66 | IP66 | IP66 |
| Luminous Output | 4,050 | 6,750 | 9,450 | 12,150 | 16,200 | 20,250 |
| Lumens Per Watt | 135±5% | 135±5% | 135±5% | 135±5% | 135±5% | 135±5% |
| Lifespan (up to) | 60,000 | 60,000 | 60,000 | 60,000 | 60,000 | 60,000 |
| Colour Temp | 3000K/4000K/5000K | 3000K/4000K/5000K | 3000K/4000K/5000K | 3000K/4000K/5000K | 3000K/4000K/5000K | 3000K/4000K/5000K |
| CRI | >80 | >80 | >80 | >80 | >80 | >80 |
| Input Voltage | 100-240V 50 / 60Hz | 100-240V 50 / 60Hz | 100-240V 50 / 60Hz | 100-240V 50 / 60Hz | 100-240V 50 / 60Hz | 100-240V 50 / 60Hz |
| Working Temp | - 30°C to 50°C | - 30°C to 50°C | - 30°C to 50°C | - 30°C to 50°C | - 30°C to 50°C | - 30°C to 50°C |
| Beam Angle | Various | Various | Various | Various | Various | Various |
| Power Factor | >0.92 | >0.92 | >0.92 | >0.92 | >0.92 | >0.92 |
| Weight | 6.5KG±0.3KG | 6.5KG±0.3KG | 6.8KG±0.3KG | 6.8KG±0.3KG | 9.2KG±0.3KG | 9.2KG±0.3KG |



Commercial and Industrial Lighting Specialists