

Key Features & Benefits

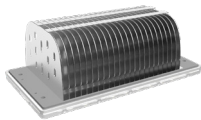
- Provides Ideal lighting for Industrial, Manufacturing, Commercial and Outdoor Applications
- Adjustable angle 60W LED modules for maximising light spread
- 60° / 90° / 120° Beam Angles
- Up to 160lm/w+ efficiency
- IP65 rated
- Fit & Forget 5 Year Warranty
- Reduces energy consumption by over 50% on traditional lighting



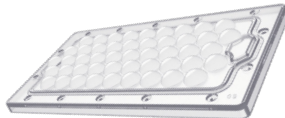
ORDER

LED High Output Adjustable Floodlight 60W

High Efficiency Heatsink



Interchangeable Optical Lenses 60° / 90° / 120°



60W Per Module

360° Rotatable Bracket



Adjustable Angle Scale Plate

The CEMA Lighting LED High Output Adjustable Floodlight provide a bright clear energy efficient light that is suitable for internal and external lighting of Industrial, Manufacturing, Workshop and Forecourt applications, as well as many other instances when looking for a high output floodlight for the exterior of buildings.

This unique fitting has adjustable LED modules which can rotate through 200° to provide multiple directions of light output for specific task areas, or just slight angle changes to increase the overall spread of light reaching the required area. It also has replaceable lenses for the LED module to allow for quick and easy changes to the beam angle of the fitting using either 60°, 90° or 120° lenses.

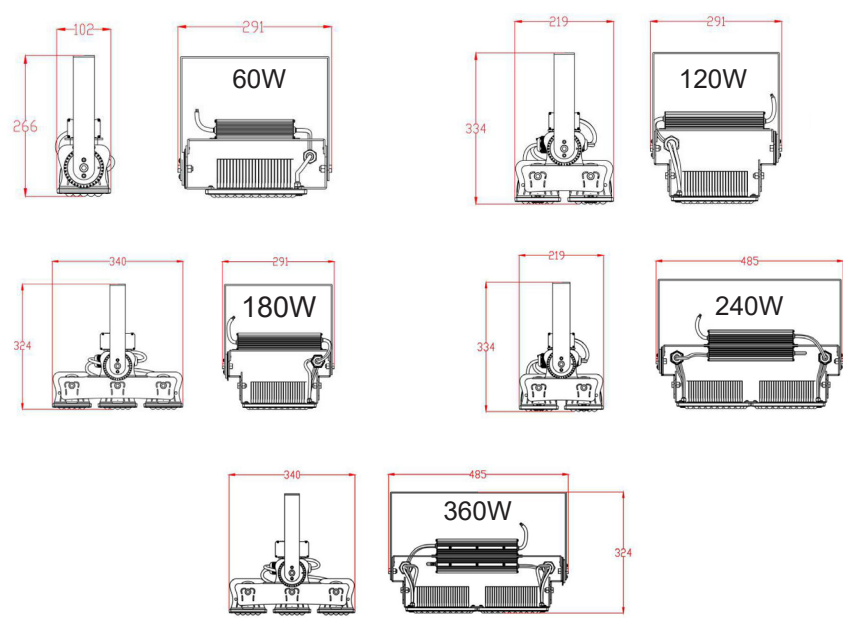
The modules can be replaced individually and it takes 2 minutes to swap one out, so incase of any failures occuring maintenance is a fast and easy process, adding to this the fittings are also extremely light in comparison to similar types of LED luminaires available, weighing as little as 2.4KG±5% and with its 160LM/W output it also offers one of the highest available efficiencies for LED luminaires on the market.

With up to 50,000 hour life span this provides a maintenance free solution for difficult applications where changing lamps or drivers can either be hazardous or expensive. This product comes with the Cema Lighting **Five Year Fit & Forget Warranty**.

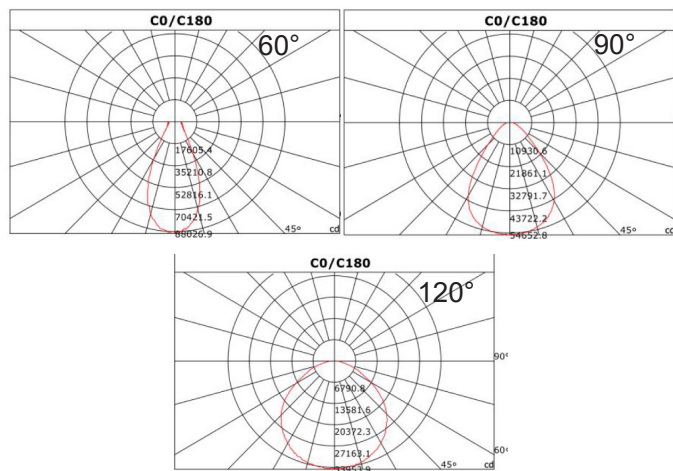
Applications

- Exterior of Buildings
- Amenity Areas
- Sports Hall
- Industrial Plants
- Warehouses
- Preperation Areas
- Car Parks

Commercial and Industrial Lighting Specialists



Size Diagram



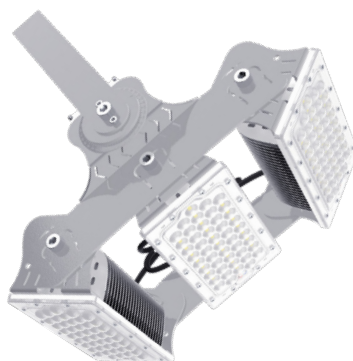
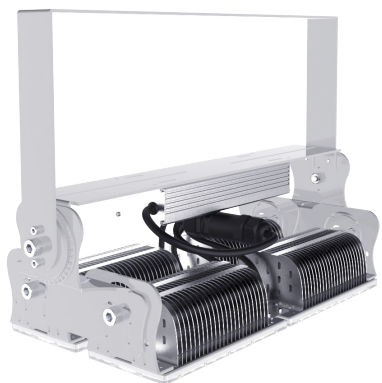
Photometric Curve Diagram

LED High Output Adjustable Floodlight 60W

Technical Specification



Product Code	302-01-015-060	302-01-015-120	302-01-015-180	302-01-015-240	302-01-015-360
Wattage [W]	60W	120W	180W	240W	360W
IP Rating	IP65	IP65	IP65	IP65	IP65
Luminous Output	9,600	19,200	28,800	38,400	57,600
Lumens Per Watt	160±5%	160±5%	160±5%	160±5%	160±5%
Lifespan (up to)	50,000	50,000	50,000	50,000	50,000
Colour Temp	2700K - 6500K	2700K - 6500K	2700K - 6500K	2700K - 6500K	2700K - 6500K
CRI	>70	>70	>70	>70	>70
Input Voltage	90-305V 50-60Hz	90-305V 50-60Hz	90-305V 50-60Hz	90-305V 50-60Hz	90-305V 50-60Hz
Working Temp	- 40°C to 60°C	- 40°C to 60°C	- 40°C to 60°C	- 40°C to 60°C	- 40°C to 60°C
Beam Angle	60°/ 90°/ 120°	60°/ 90°/ 120°	60°/ 90°/ 120°	60°/ 90°/ 120°	60°/ 90°/ 120°
Power Factor	>0.95	>0.95	>0.95	>0.95	>0.95
Weight	2.4KG±5%	3.8KG±5%	4.7KG±5%	5.9KG±5%	8.6KG±5%
Dimensions [mm]	291*102*266	291*219*334	291*340*324	485*219*334	485*340*324



Commercial and Industrial Lighting Specialists