

Key Features & Benefits

- Multiple channels available for all stages of growth (veg / flower etc.)
- Photosynthetic Photon Flux (PPF) up to **1330 μ mol/s**
- Built in timer & remote control included
- Photosynthetic Photon Flux Density up to **$\geq 2000 \mu$ mol/m²/s @ 0.3M**
- CREE & Bridgelux Chips & Meanwell Drivers for maximum lifespan & output
- 3 Year Replacement Warranty
- Reduces energy consumption by over 50% on traditional lighting



LED Multi Channel Horticultural Highbay /w Timer



The CEMA Lighting LED IP54 Multiple Spectrum Horticultural Highbay /w Timer is a high output luminaire specifically designed to be used within the horticultural industry for large scale greenhouses, plant nurseries urban farming facilities and garden centres across the UK as well as many other uses when looking to improve yield and reduce electricity costs within controlled environment farming situations whilst also having control over the time the light is on each day.

This luminaire utilises a 90° beam angle, the LED chips used within the luminaire are from Epistar who are known for their high quality horticultural LED chips with high PAR values and allow for the fitting to be used within a wide temperature range from -20°C to 40°C giving it more flexibility to be used in a wide range of environments. This fitting also comes with a remote control to change settings on the fitting without having to have the luminaire in your hands and also a built in timer which allows the user to set a certain timeframe each day for the fitting to come on for, this luminaire is also dimmable.

This fitting has a Photosynthetic Photon Flux (PPF) of up to 1330 μ mol/s for the 700W version which shows the total amount of PAR (Photosynthetically Active Radiation) which is being output per second. The Photosynthetic Photon Flux Density (PPFD) this luminaire can achieve is up to $\geq 2000 \mu$ mol/m²/s @ 0.3M for the 700W version, which is the amount of PAR reaching a 1M² area per second at a set height.

This product comes with a 3 year replacement only warranty.

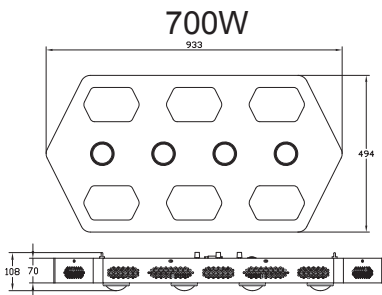
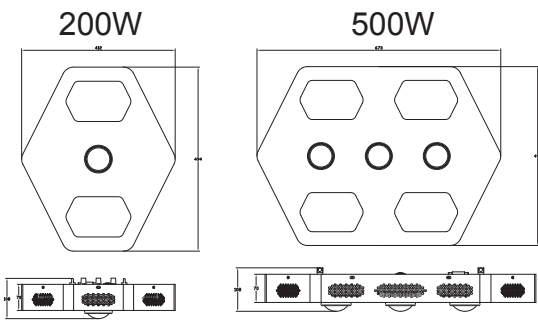
Applications

- Urban Farming Facilities
- Garden Centres
- Large Scale Greenhouses
- Multilayer Cultivation
- Mass Indoor Farming Facilities
- Controlled Environment Farming
- Plant Nurseries

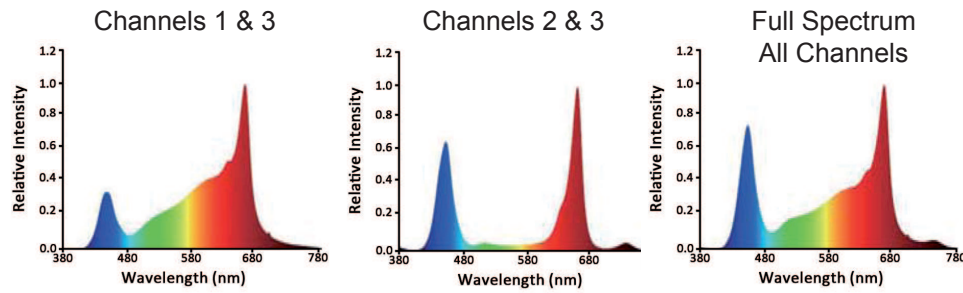
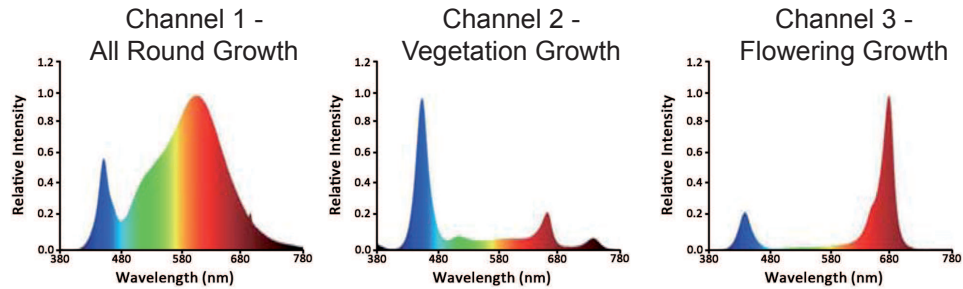
Extra Features

- 3 Channels of LED Light Spectrum built-in which can be changed via the remote control and via switches on the luminaire to target a specific stage of growth for your plants, you can choose a specific channel or use 2 or all 3 together depending on your requirements.

Commercial and Industrial Lighting Specialists



Size Diagram



Wavelength Spectrum Diagram

LED Multi Channel Horticultural Highbay /w Timer

Technical Specification

Product Code	910-73-01	910-73-02	910-73-03
LED Power	100W*1+3W*64pcs = 292W	100W*3+3W*128pcs = 684W	100W*4+3W*192pcs = 976W
Draw Power	200W	500W	700W
IP Rating	IP54	IP54	IP54
Photosynthetic Photon Flux (PPF)	380 μ mol/s	950 μ mol/s	1330 μ mol/s
Photosynthetic Photon Flux Density (PPFD)	$\geq 620 \mu$ mol/m ² /s @ 0.3M	$\geq 1300 \mu$ mol/m ² /s @ 0.3M	$\geq 2000 \mu$ mol/m ² /s @ 0.3M
Lifespan (up to)	50,000	50,000	50,000
LED Spectrum Wavelength	Multiple Spectrums Available	Multiple Spectrums Available	Multiple Spectrums Available
Input Voltage	AC85~265V 50/60HZ	AC85~265V 50/60HZ	AC85~265V 50/60HZ
Working Temp	- 20°C to 40°C	- 20°C to 40°C	- 20°C to 40°C
Beam Angle	90°	90°	90°
Power Factor	>0.95	>0.95	>0.95
LED Quantity	1+64	3+128	4+192
Weight	9KG	12KG	15KG



Commercial and Industrial Lighting Specialists