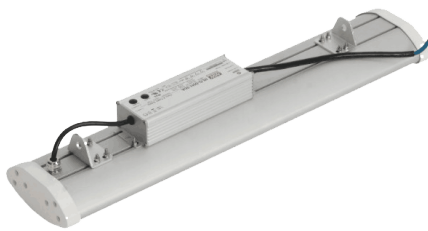


## Key Features & Benefits

- Provides Ideal lighting for Industrial, Manufacturing and Commercial applications
- 110° Beam Angle for maximum light spread
- Up to 110lm/w+ efficiency
- IP65 rated
- Fit & Forget 5 Year Warranty
- Reduces energy consumption by over 50% on traditional lighting



## LED IP65 High Output Linear



The CEMA Lighting's LED IP65 High Output Linear provides a bright clear energy-efficient light that is suitable for internal and external lighting of Industrial, Manufacturing, Commercial and Workshop applications, as well as many other instances when looking for a high output linear batten for a specific task area.

These linear battens can be fitted onto tracks to allow for easy and quick installation, these luminaires can also be provided with a 3 hour emergency function with over-charge and over-discharge protection to ensure the emergency system functions soundly. CEMA Lighting also offer microwave sensor functions which allow even greater savings to be made which ensure that the lights are only on when motion is detected.

With up to 50,000 hour life span this luminaire provides a maintenance free solution for difficult applications where changing lamps or drivers can either be hazardous or expensive. This product comes with the CEMA Lighting **Five Year Fit & Forget Warranty**.

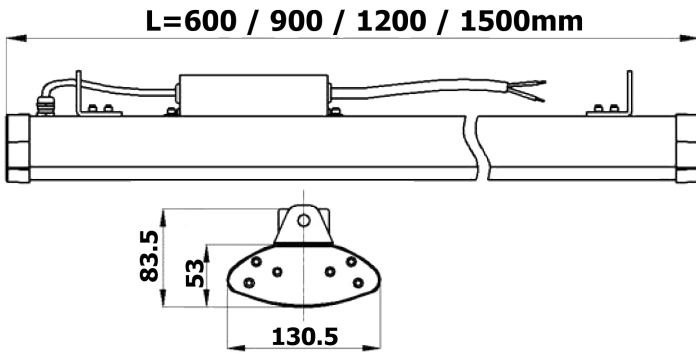
### Applications

- Amenity Areas
- Sports Hall
- Industrial Plants
- Warehouses
- Preparation Areas
- Commercial Premises
- Car Garages
- Workshops

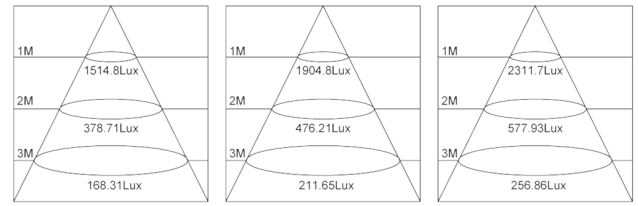
### Optional Extras

- 3 Hour Emergency
- Microwave Sensor
- 0-10V Triac & Dali Dimming
- Cable Linked Function

*Commercial and Industrial Lighting Specialists*



Size Diagram



Photometric Curve Diagram

# LED IP65 High Output Linear

## Technical Specification



Product Code	401-10-28-060	401-10-28-080	401-10-28-100	401-10-28-120	401-10-28-150
Wattage [W]	60W	80W	100W	120W	150W
IP Rating	IP65	IP65	IP65	IP65	150W
Luminous Output	8,100	10,800	13,500	13,200	13,200
Lumens Per Watt	135±5%	135±5%	135±5%	110±5%	110±5%
Lifespan (up to)	50,000	50,000	50,000	50,000	50,000
Colour Temp	3000K/4000K /5000K/5700K	3000K/4000K /5000K/5700K	3000K/4000K /5000K/5700K	3000K/4000K /5000K/5700K	3000K/4000K /5000K/5700K
CRI	>80	>80	>80	>80	>80
Input Voltage	100-277V 47-63Hz	100-277V 47-63Hz	100-277V 47-63Hz	90-277V 47-63Hz	90-277V 47-63Hz
Working Temp	- 20°C to 50°C	- 20°C to 50°C	- 20°C to 50°C	- 20°C to 45°C	- 20°C to 45°C
Beam Angle	110°	110°	110°	110°	110°
Power Factor	>0.90	>0.90	>0.90	>0.95	>0.95
Weight	2.7±0.2KG	3.7±0.2KG	3.7±0.2KG	4.3±0.2KG	4.3±0.2KG
Dimensions [mm]	600*130.5*83.5	900*130.5*83.5	1200*130.5*83.5	1500*130.5*83.5	1500*130.5*83.5



Commercial and Industrial Lighting Specialists