

Key Features & Benefits



- 24 hour initial charge time
- 3 hour discharge
- 50,000 hour lifespan
- IP65 rated
- Non maintained emergency fitting
- Fit & Forget 5 Year Warranty



LED IP65 Emergency Twinspot

The CEMA Lighting LED IP65 Emergency Twinspot provides an emergency lighting option for both indoor and outdoor applications, for areas such as factories, warehouses and manufacturing plants, as well as many other scenarios when looking to improve the emergency lighting system.

Technical Specification

Product Code	601-13-038-06
Wattage [W]	2x3W
IP Rating	IP65
Luminous Output	490 +5%
Lifespan [up to]	50,000
Colour Temp	6000K
CRI	>80
Input Voltage	230V 50Hz
Working Temp	0°C to 40°C
Beam Angle	80°
Dimensions [mm]	280*301*90



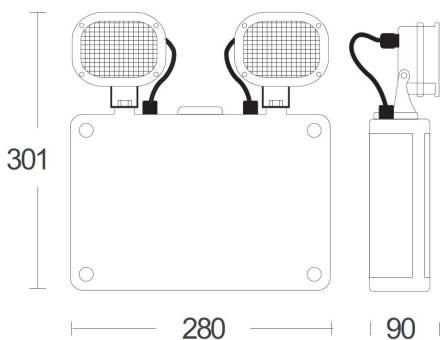
Optional Extras

- Self Test Feature

Applications

- Toilets
- Amenity Areas
- Walkways
- Manufacturing
- Warehouses
- Preparation Areas
- Corridors
- Outdoor Areas

Size Diagram & Product Images



Commercial and Industrial Lighting Specialists