



**IP**  
65

**Lm/w**  
200

**CT**  
5000K

**WT**  
- 40°C to  
45°C

**LIFESPAN**  
100,000  
Hours



CEMA Lighting's exclusive LED IP65 HighBay is fresh to the market with an unbeatable 200+Lm/W efficacy. This industry leading luminaire also has a built-in sensor, to optimise the efficiency of your lighting system, no matter the shape or size of your warehouse space.

The LED IP65 HighBay is suitable for any high ceiling areas, specifically warehousing, racking, or manufacturing spaces where a high quality, low maintenance solution is ideal, especially for hard-to-reach or hazardous places.

With a stylish, slim, and modern design, this product bears a centralised motion sensor ensuring symmetrical balance from all angles.

This sensor can turn off when sufficient daylight is detected, turn on when motion is detected and lighting levels are below the set boundary, dim to standby level if motion has not been detected for a period, and automatically switch off after no motion is detected during standby period, this maximises the energy saving capability of this luminaire.

This product comes with the CEMA Lighting Five Year 'Fit & Forget' Warranty.

## Key Features & Benefits

- Up to 200Lm/W efficiency
- Provides ideal lighting for industrial, manufacturing and warehousing
- Integrated centralised sensor
- 60° / 90° / 120° optical lenses available
- IP65 rated
- 5 year 'Fit & Forget' warranty
- Reduces energy consumption by over 50% on traditional lighting

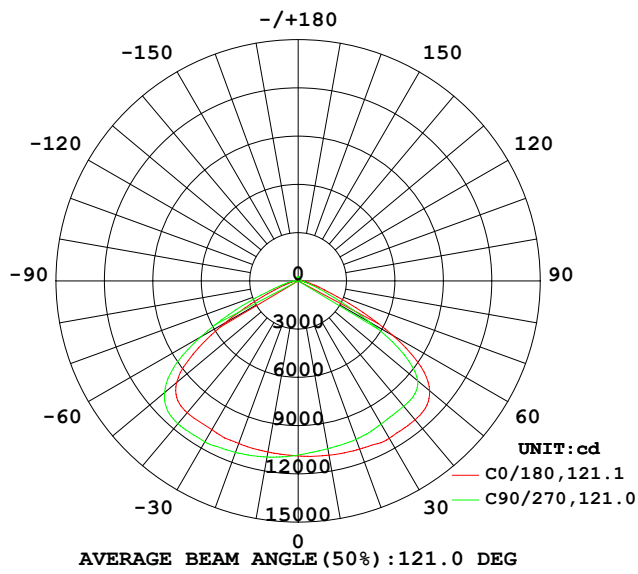
## Applications

- High Ceiling Buildings
- Sports Hall
- Industrial Plants
- Warehouses
- Preparation Areas
- Storage Areas
- Workshop

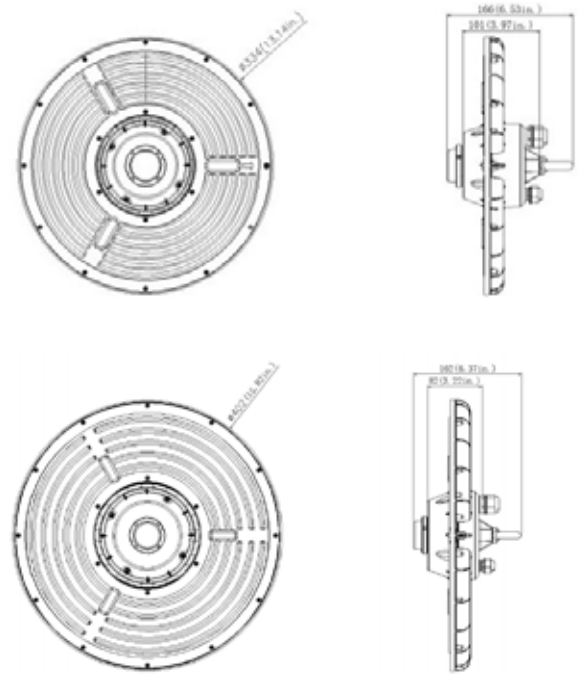
## Optional Extras

- 3 Hour Emergency Battery Back Up
- Microwave Sensor
- Daylight Sensor
- Occupancy Control

# Photometrics



# Size Diagrams



# Technical Specification

Product Code	102-01-080	102-01-100	102-01-120	102-01-150	102-01-200
Wattage	80	100	120	150	200
IP Rating	IP65	IP65	IP65	IP65	IP65
Luminous Output	16,000	20,000	24,000	30,000	40,000
Lumens Per Watt	200±5%	200±5%	200±5%	200±5%	200±5%
Lifespan L70 at 25°C	100,000	100,000	100,000	100,000	100,000
Colour Temp	4000K/5000K	4000K/5000K	4000K/5000K	4000K/5000K	4000K/5000K
CRI	>70%	>70%	>70%	>70%	>70%
Input Voltage	100-240V 50-60Hz	100-240V 50-60Hz	100-240V 50-60Hz	100-240V 50-60Hz	100-240V 50-60Hz
Working Temp	- 40°C to 45°C	- 40°C to 45°C	- 40°C to 45°C	- 40°C to 45°C	- 40°C to 45°C
Beam Angle	60° / 90° / 120°	60° / 90° / 120°	60° / 90° / 120°	60° / 90° / 120°	60° / 90° / 120°
Power Factor	>0.95	>0.95	>0.95	>0.95	>0.95
Weight	1.86KG±5%	1.86KG±5%	1.86KG±5%	2.68KG±5%	2.68KG±5%
Dimensions (mm)	334 x 334 x 148	334 x 334 x 148	334 x 334 x 148	402 x 402 x 143	402 x 402 x 143




**CEMA Lighting Ltd**  
 Gallamore Lane  
 Market Rasen  
 Lincolnshire  
 LN8 3HA


**01673 840000**  

**cemalighting.co.uk**

Connect with us

