



Key Features & Benefits

- Provides ideal lighting for roadways, car parks & amenity areas
- Reduces energy consumption by over 50% on traditional lighting
- 85°x135° beam angle for optimum light spread
- Up to 130lm/w+ efficiency
- IP65 rated
- 5 Year Replacement Warranty



ORDER

LED High Output Eco Street Light



The CEMA Lighting LED IP65 High Output Eco Street Lights provide a bright clear energy efficient light that is suitable for external lighting of roadways, footpaths, walkways, car park and amenity area applications, as well as many other instances when looking for a pole mounted high output fitting with low maintenance.

This fitting is also very light in comparison to similar types of LED Street Lights available, weighing as little as 4.5KG per fitting and with its 130LM/w output it also offers one of the highest available efficiencies for LED luminaires on the market. With up to 50,000 hour life span this provides a maintenance free solution for difficult applications where changing lamps or drivers can either be hazardous or expensive.

This product comes with a 5 Year replacement only warranty.

Applications

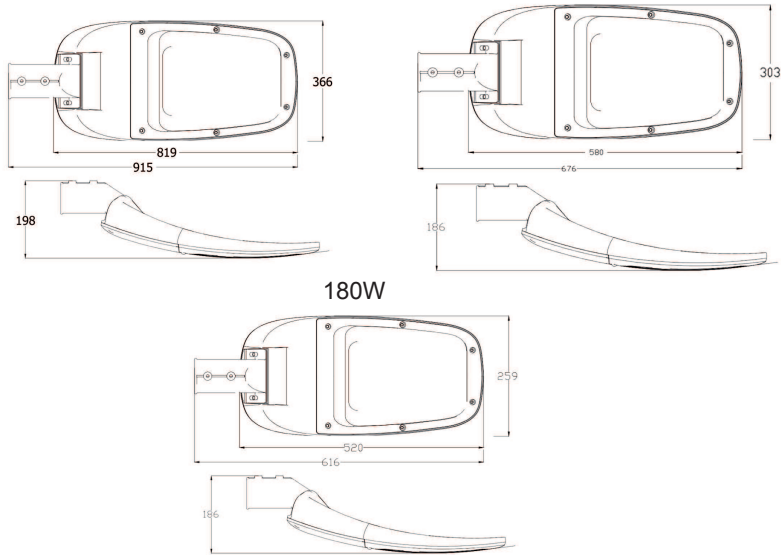
- Roadways
- Footpaths
- Walkways
- Car Parks
- Amenity Areas
- Fuel Forecourts
- Exterior of Buildings
- Industrial Plants

Optional Extras

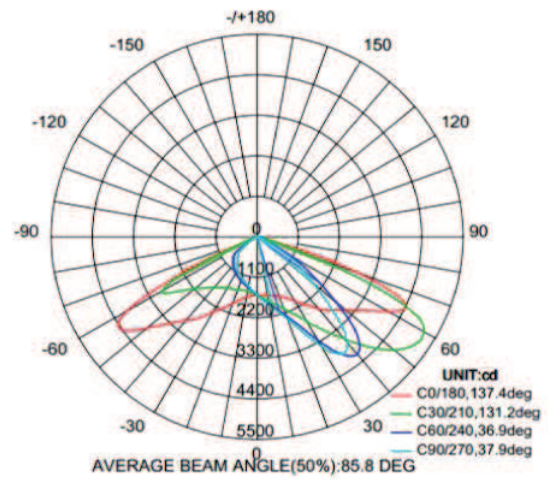
- Photocell Sensor
- Microwave Sensor

30W, 50W & 80W

100W & 150W



Size Diagram



Photometric Curve Diagram

LED High Output Eco Street Light

Technical Specification

Product Code	701-48-01	701-48-02	701-48-03	701-48-04	701-48-05	701-48-06
Wattage (W)	30W	50W	80W	100W	150W	180W
IP Rating	IP65	IP65	IP65	IP65	IP65	IP65
Luminous Output	3,600	6,500	10,400	13,000	19,500	23,400
Lumens Per Watt	130±5%	130±5%	130±5%	130±5%	130±5%	130±5%
Lifespan (up to)	50,000	50,000	50,000	50,000	50,000	50,000
Colour Temp	6000K	6000K	6000K	6000K	6000K	6000K
CRI	>80	>80	>80	>80	>80	>80
Input Voltage	100-240V 50-60Hz	100-240V 50-60Hz	100-240V 50-60Hz	100-240V 50-60Hz	100-240V 50-60Hz	100-240V 50-60Hz
Working Temp	- 30°C to 50°C	- 30°C to 50°C	- 30°C to 50°C	- 30°C to 50°C	- 30°C to 50°C	- 30°C to 50°C
Beam Angle	85° x 135°	85° x 135°	85° x 135°	85° x 135°	85° x 135°	85° x 135°
Power Factor	>0.93	>0.93	>0.93	>0.93	>0.93	>0.93
Weight	5.5KG±0.3KG	6.0KG±0.3KG	6.5KG±0.3KG	7.1KG±0.3KG	8.1KG±0.3KG	9.5KG±0.3KG



Commercial and Industrial Lighting Specialists