



Key Features & Benefits

- Provides ideal lighting for offices, amenity areas and corridors
- Reduces energy consumption by over 50% on traditional lighting
- Up to 85lm/w+ efficiency
- IP20 rated
- Fit & Forget 5 Year Warranty



STOCK

LED High Output Surface Mount Panel

The CEMA Lighting LED High Output Surface Mounted Panels provide a bright clear energy efficient light that is suitable for internal lighting of offices, corridors and retail applications, as well as many other instances when looking to improve the lighting within internal office type areas.

This product comes with the CEMA Lighting **Five Year Fit & Forget Warranty**.

Technical Specification

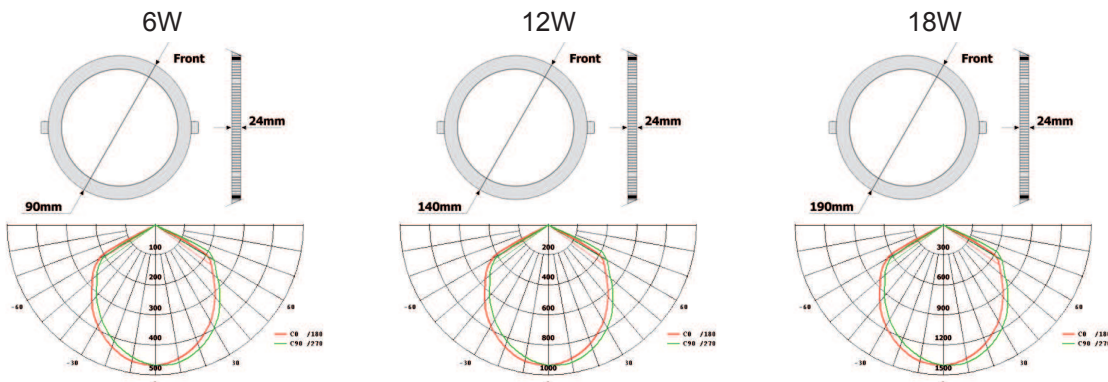
Product Code	505-28-01	505-28-02	505-28-03
Wattage (W)	6W	12W	18W
IP Rating	IP20	IP20	IP20
Luminous Output	500	1,000	1,500
Lumens Per Watt	83±5%	83±5%	83±5%
Lifespan (up to)	50,000	50,000	50,000
Colour Temp	4500K	4500K	4500K
CRI	>80	>80	>80
Input Voltage	100-277V 50-60Hz	100-277V 50-60Hz	100-277V 50-60Hz
Working Temp	-30°C to 50°C	-30°C to 50°C	-30°C to 50°C
Beam Angle	120°	120°	120°

Applications

- Offices
- Amenity Areas
- Walkways
- Manufacturing
- Warehouses
- Preparation Areas
- Corridors
- Conference Rooms



Size Diagram & Photometric Curves



Optional Extras

- 3 Hour Emergency Battery Back Up
- Motion Sensor

Commercial and Industrial Lighting Specialists