



Key Features & Benefits

- Provides ideal lighting for industrial, manufacturing and commercial applications
- 120° beam angle for maximum light spread
- Up to 100lm/w+ efficiency
- IP50 rated
- Fit & Forget 5 Year Warranty
- Reduces energy consumption by over 50% on traditional lighting



LED IP50 High Output Linear Batten



Our range of LED High Output Linear Batten Luminaires provide an energy efficient replacement for all traditional linear batten fittings, such as 1x58W Single T8 Fluorescent Batten and 2x35W Twin T5 fluorescent linear fittings often found in warehouses, factories and other types of buildings within the industrial, warehousing and commercial industry.

The pioneering technology usually achieves energy savings of at least 50% over conventional light sources, whilst maintaining the same lux levels. With up to 50,000 hour life span this provides a maintenance free solution for difficult applications where changing luminaires can either be hazardous or expensive.

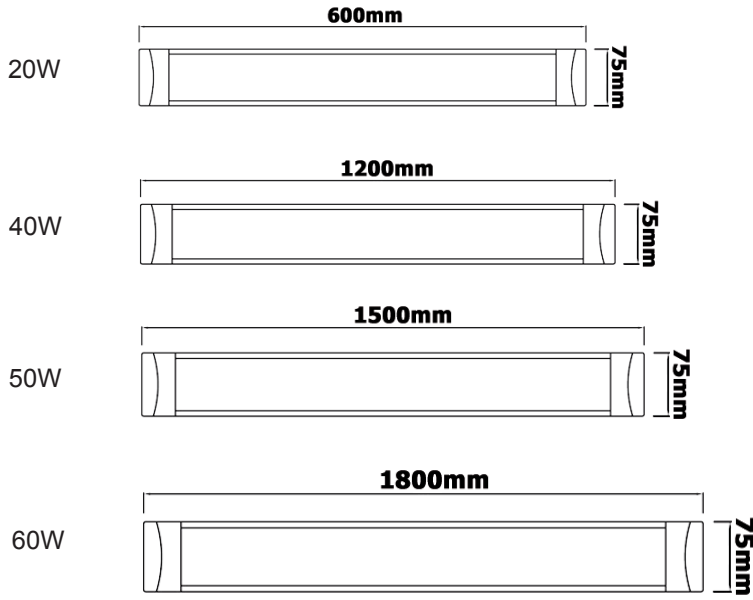
This product is covered by our industry leading CEMA Lighting **Five Year Fit and Forget Warranty**.

Applications

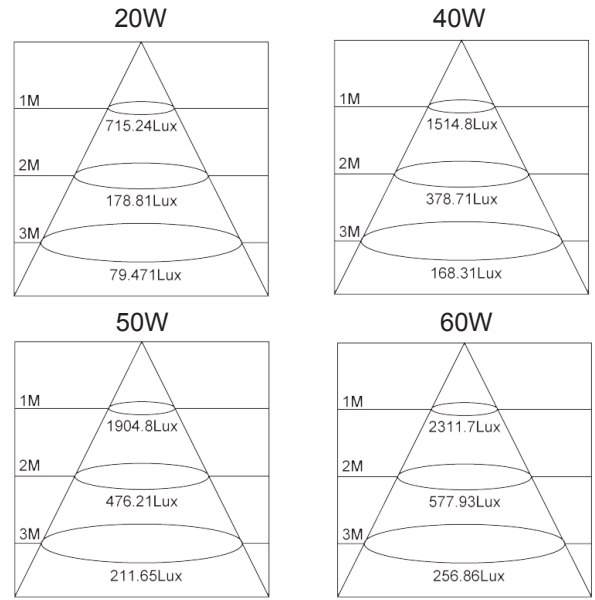
- Amenity Areas
- Sports Hall
- Industrial Plants
- Warehouses
- Preparation Areas
- Commercial Premises
- Car Garages
- Workshops

Optional Extras

- Motion Sensor



Size Diagram



Photometric Curve Diagram

LED IP50 High Output Linear Batten

Technical Specification



Product Code	402-21-01	402-21-02	402-21-03	402-21-04
Wattage (W)	20W	40W	50W	60W
IP Rating	IP50	IP50	IP50	IP50
Luminous Output	2,000	4,000	5,000	6,000
Lumens Per Watt	100±5%	100±5%	100±5%	100±5%
Lifespan (up to)	50,000	50,000	50,000	50,000
Colour Temp	5000K	5000K	5000K	5000K
CRI	>80	>80	>80	>80
Input Voltage	90-277V 47-63Hz	90-277V 47-63Hz	90-277V 47-63Hz	90-277V 47-63Hz
Working Temp	- 20°C to 45°C	- 20°C to 45°C	- 20°C to 45°C	- 20°C to 45°C
Beam Angle	120°	120°	120°	120°
Power Factor	>0.95	>0.95	>0.95	>0.95
Weight	0.5±0.2KG	1.0±0.2KG	1.3±0.2KG	1.6±0.2KG

Commercial and Industrial Lighting Specialists